

# Product Information

www.vdo-marine.com

## OceanLink 85mm Master GPS Speedometer

The new OceanLink 85mm Master GPS Speedometer features an embedded GPS antenna, an DOT matrix LCD and NMEA2000® connectivity. The LCD display information like position, date and time and - if connected via NMEA2000® network – sea water temperature, depth and speed through water information. The IPX7 waterproof design allows the installation on open or enclosed boats. Up to 20 satellite gauges of 52mm each, can be connected thanks to the integrated EasyLink connectivity.



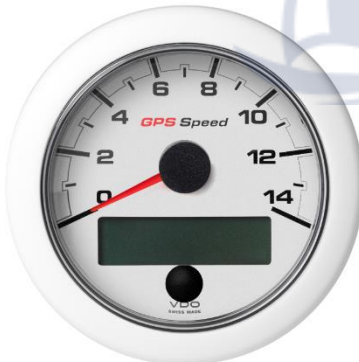
**A2C1351970001**



**A2C1351980001**



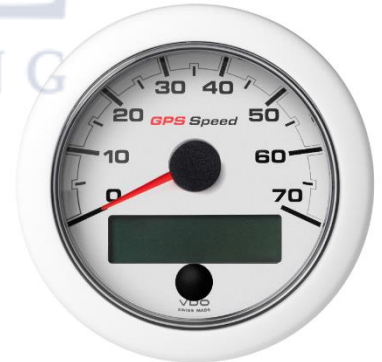
**A2C1351990001**



**A2C1352010001**



**A2C1352080001**



**A2C1352090001**

### Available Gauges:

Gauge PN	Gauge Type	Colour	Diameter (mm)
A2C1351970001	GPS Speedo 14Knots	Black Bezel	85
A2C1352010001	GPS Speedo 14Knots	White bezel	85
A2C1351980001	GPS Speedo 35Knots	Black Bezel	85
A2C1352080001	GPS Speedo 35Knots	White bezel	85
A2C1351990001	GPS Speedo 70Knots	Black Bezel	85
A2C1352090001	GPS Speedo 70Knots	White bezel	85

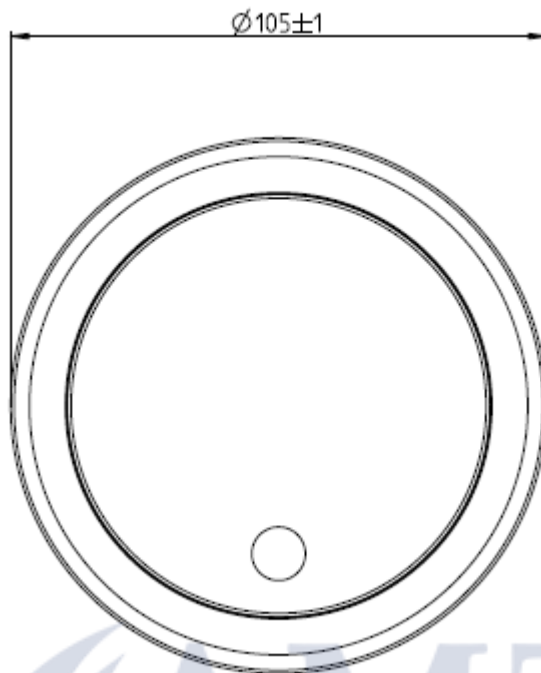
**Features**

- Protection to IP x7 front and rear
- Operating Temperature -20°C / +70°C
- 1 x CONNECTOR NMEA2000®
- 1 x EasyLink databus
- 1 x J1939 input
- 1 x Frequency Input
- 2 x Analogue resistive Input
- Integreted GPS antenna
- Reverse Polarity Protection

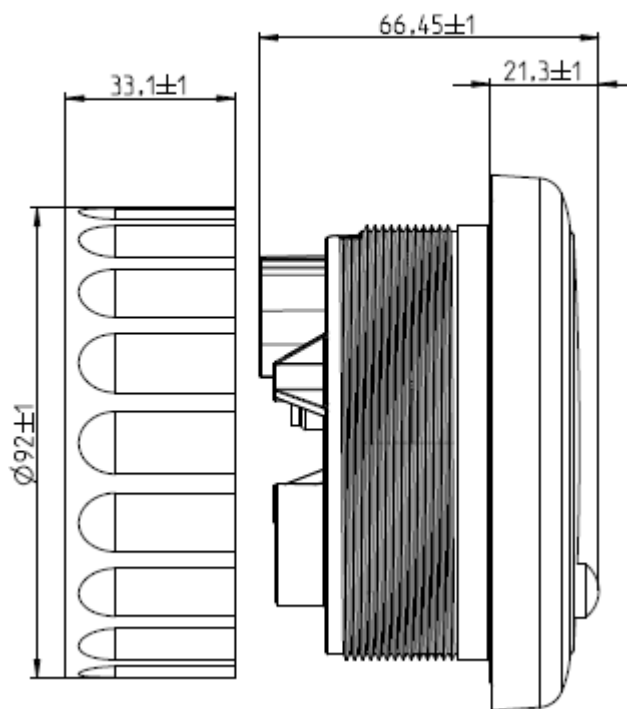
Technical Data	
<b>Housing Material</b>	PC-FR
<b>Bezel Material</b>	PC-FR
<b>Display Type</b>	DOT matrix LCD
<b>Resolution</b>	132x32
<b>GPS Channel</b>	Support 66-channel
<b>GPS frequency update</b>	10Hz update rate
<b>GPS-time to first fix</b>	Cold:33s (Typical) Warm:<1s (Typical)
<b>GPS Position accuracy</b>	Autonomous 3.0m ;
<b>GPS Datum</b>	WGS-84 (default)
<b>Operating temperature</b>	-20°C / +70°C
<b>Storage temperature</b>	-30°C / +85°C
<b>Rated voltage range</b>	9.0 – 32.0 VDC
<b>Current consumption</b>	< 150mA @ 12Volts
<b>Protection Class</b>	IEC60945 exposed equipment IP X7 front and rear (plug in)
<b>EMC</b>	DIN-EN 61000-6-2:2006 IEC 60945:2002/ISO7637-2
<b>Approval</b>	CE, RoHS & NMEA2000

Physical Specification

Front with bezel



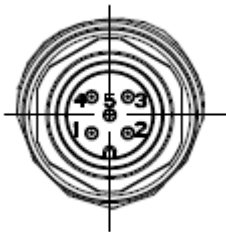
Side View



Rear View - Connector Side

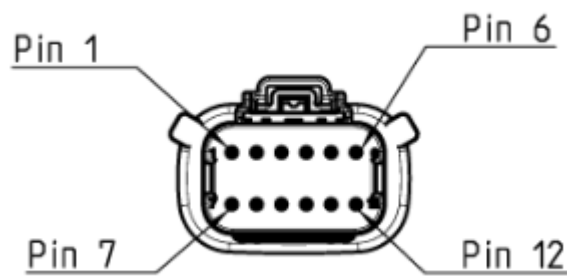


Rear Case Plugs



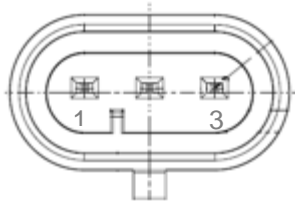
M12 - 5 Pins NMEA2000 Connector

Pin	M12-5Pin
1	Shield
2	NET-S (V+)
3	NET-C (V-)
4	NET-H
5	NET-L



Molex MX150 - 12 Pins Power and Data cable (Cable Side)

Pin	Molex MX150	Colour Code
1	Term.30 (Battery)	Red
2	Term.31 (GND)	Black
3	Alarm output 500mA (LOW)	White
4	Frequency Input 0-4kHz for engine RPM data.	Green
5	CAN Low (J1939)	Blue
6	CAN High (J1939)	Blue/White
7	Term.15 (Ignition)	Yellow
8	Analogue input 0-400 Ohm (input data selection: Trim, Rudder, Fresh water, Fuel Level, Pressure and Temperature)	Grey
9	Analogue input 0-400 Ohm (input data selection: Trim, Rudder, Fresh water, Fuel Level, Pressure and Temperature)	Brown
10	Term.58 (Illumination)	Orange
11	EasyLink Bus power	Light Blue
12	EasyLink Bus data	Violet



Pin	Amp Superseal - 3 Pin
1	EasyLink - Power
2	EasyLink - Gnd
3	EasyLink - Data

*Tyco AMP Super Seal – 3 Pins Plug & Play*

Accessories Part Number	Item specifics
A2C1376090001	Union Nut 85mm
A2C1111380001	Round Bezel 85mm,black
A2C1141580001	Round Bezel 85mm,chrome
A2C1352140001	Round Bezel 85mm, white
A2C1433330001	Power Cable + Data cable master 85mm

